

## 92 Series - FM - 2/4/6 Function combined Receiver/Actuator with Standard Transmitter

### SYSTEM PART NUMBERS

92 1 50	2 Function Receiver/Actuator	+ 2 Function Standard Transmitter
92 1 54	4 Function Receiver/Actuator	+ 4 Function Standard Transmitter
92 1 56	6 Function Receiver/Actuator	+ 6 Function Standard Transmitter

### REPLACEMENT TRANSMITTERS

92 1 02TX	2 Function	Standard Transmitter
92 1 04TX	4 Function	Standard Transmitter
92 1 06TX	6 Function	Standard Transmitter



Part Number 92 1 54 shown, 92 1 50 and 92 1 56 are similar, the number of functions vary.

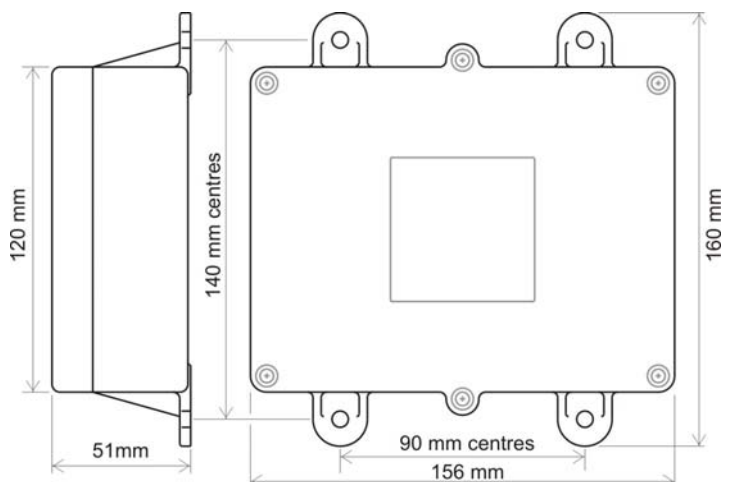
### FEATURES

**Soft-Start** - a flow control valve in the supply line allows adjustment of the air supply into cylinder, hence the speed at which it moves. This gives a degree of "feel" to the system when "inching" equipment, without restricting the exhaust flow from the cylinder but also allowing immediate shut off.

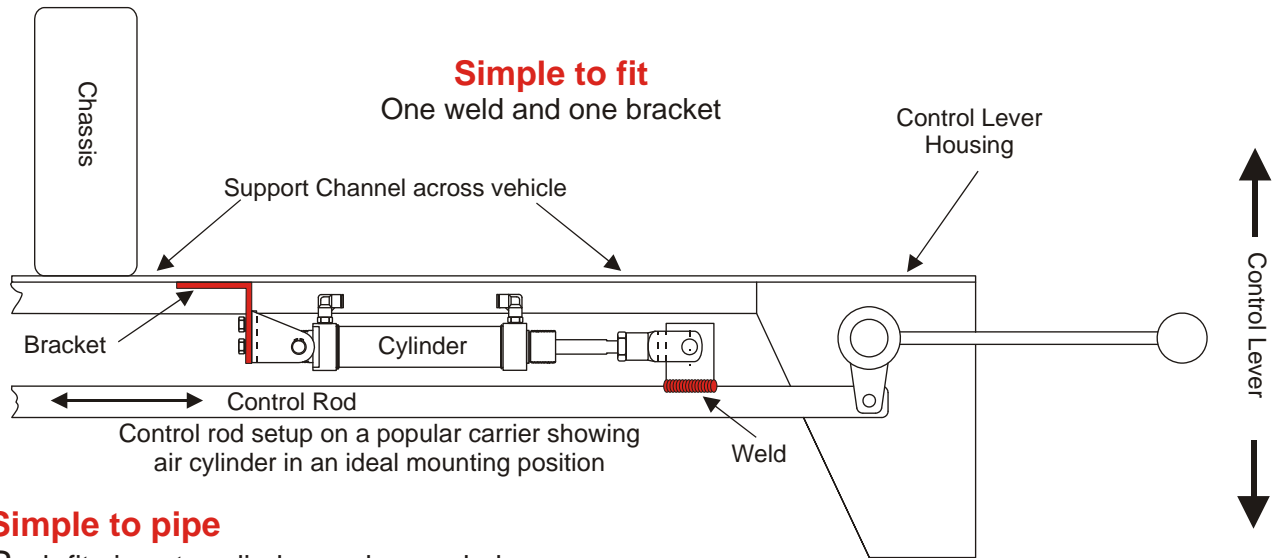
**Manual over-ride** - this is available at all times. At rest, both pipes to the cylinder are "open to atmosphere", allowing for free movement of the piston, with return to centre when the system is deactivated.

### ENCLOSURE

Lid	Smoke PVC - to view LEDs
Base	Black PVC
Breather	Gortex fitted in base
Vent	Sintered brass vent
Mounting	4 external lugs
Fixings	5mm (3/16") not supplied



## THE ACTUATOR



### Simple to pipe

Push fit pipes to cylinder - colour coded  
Connect blue pipe to the air supply

## SPECIFICATIONS

### The Actuator Assembly

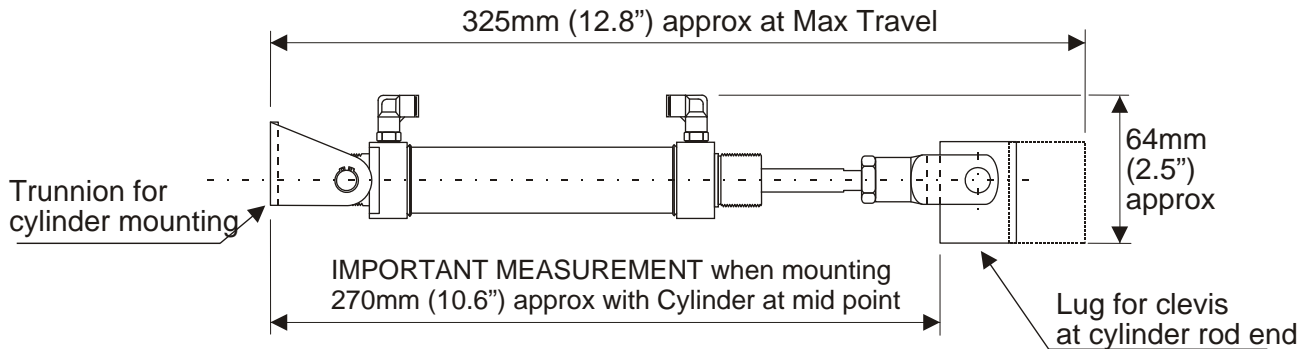
Air Cylinder(s) 32mm(1.25") bore x 50mm(2") stroke  
Fitted with trunnion and clevis, with lug(s) ready for welding  
2 push fit elbows per cylinder

### The Receiver/Control Box

Radio Receiver with outputs to valves - prewired  
Flow control valve  
3ft lengths of output pipe with push fit connections to the cylinder(s) - colour coded for each pair of functions.  
6ft length blue supply pipe fitted with 1/4" adaptor (push fit)  
8ft twin core power supply cable

Max air pressure	120psi
Air requirements	Must be CLEAN and DRY (air flow is minimal)
Max push	149 lbs @ 120psi
Max pull	128 lbs @ 120psi
Voltage	12 and 24 Volts available (24 Volt systems are suffixed 24 – e.g. 92 1 50/24 etc)

## WILL IT FIT



Allow a minimum of 6mm (1/4") clearance over dimensions shown

**FOR RADIO SPECIFICATION SEE – s92 1 04 and s92 1 06**