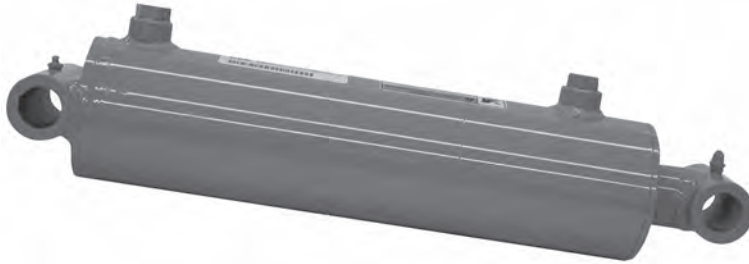




THE FORTRESS LINE

3000 PSI EXTENDED DUTY

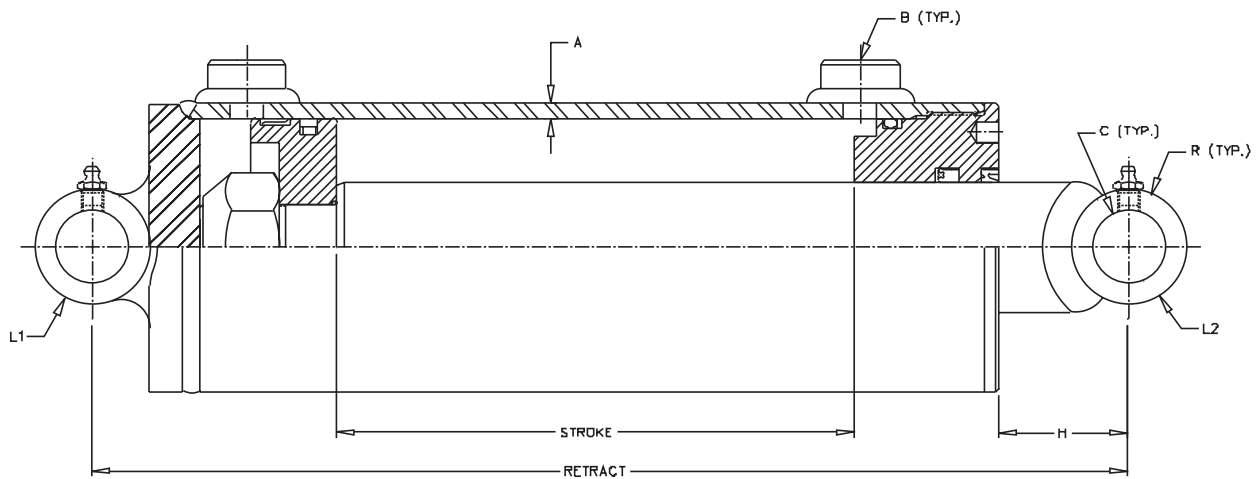
THE "FORTRESS" Welded-DA-Heavy Duty-3000 PSI



FEATURES:

- Heavy duty welded construction
- Chromed, ground, and polished piston rod
- Skived tubing
- Ductile iron piston
- Thread-in ductile iron gland
- Urethane u-cup, metal encased wiper, teflon cap seal and wear ring
- Crosstube end fittings with grease zerks
- Painted: highway yellow
- Matches closed length of Royal line cylinders (up to 42" stroke)

* Spacers included in these models



Rods are sized for a maximum safe push load (2:1 safety factor) given in the table. This is based on the pin configuration shown with no center support.

Model No.	Style	Wt	PSI	Column Load (Lbs)	Ret	Rod Dia.	A	B	C	R	H	L1	L2
SAE-64008	4 X 8	42	3000	FULL PSI	17	2	7/32	#10 SAE	1.265	1	2 1/4	4 3/4	3 1/4
SAE-64012	4 X 12	48	3000	FULL PSI	21	2	7/32	#10 SAE	1.265	1	2 1/4	4 3/4	3 1/4
SAE-64016	4 X 16	55	3000	FULL PSI	25	2	7/32	#10 SAE	1.265	1	2 1/4	4 3/4	3 1/4
SAE-64020	4 X 20	62	3000	FULL PSI	29	2	7/32	#10 SAE	1.265	1	2 1/4	4 3/4	3 1/4
SAE-64024	4 X 24	69	3000	FULL PSI	33	2	7/32	#10 SAE	1.265	1	2 1/4	4 3/4	3 1/4
SAE-64030	4 X 30	79	3000	FULL PSI	39	2	7/32	#10 SAE	1.265	1	2 1/4	4 3/4	3 1/4
SAE-64032	4 X 32	83	3000	FULL PSI	41	2	7/32	#10 SAE	1.265	1	2 1/4	4 3/4	3 1/4
SAE-64036	4 X 36	90	3000	28,710 LBS	45	2	7/32	#10 SAE	1.265	1	2 1/4	4 3/4	3 1/4
SAE-64040	4 X 40	96	3000	23,700 LBS	49	2	7/32	#10 SAE	1.265	1	2 1/4	4 3/4	3 1/4
SAE-64042	4 X 42	100	3000	21,680 LBS	51	2	7/32	#10 SAE	1.265	1	2 1/4	4 3/4	3 1/4
SAE-64048*	4 X 48	115	3000	16,640 LBS	59	2	7/32	#10 SAE	1.265	1	2 1/4	4 3/4	3 1/4
SAE-64060*	4 X 60	138	3000	10,890 LBS	73	2	7/32	#10 SAE	1.265	1	2 1/4	4 3/4	3 1/4
SAE-64508	4 1/2 X 8	54	3000	FULL PSI	17	2 1/4	1/4	#10 SAE	1.265	1	2 1/4	5 1/4	3 1/4
SAE-64512	4 1/2 X 12	62	3000	FULL PSI	21	2 1/4	1/4	#10 SAE	1.265	1	2 1/4	5 1/4	3 1/4
SAE-64516	4 1/2 X 16	71	3000	FULL PSI	25	2 1/4	1/4	#10 SAE	1.265	1	2 1/4	5 1/4	3 1/4
SAE-64520	4 1/2 X 20	80	3000	FULL PSI	29	2 1/4	1/4	#10 SAE	1.265	1	2 1/4	5 1/4	3 1/4
SAE-64524	4 1/2 X 24	89	3000	FULL PSI	33	2 1/4	1/4	#10 SAE	1.265	1	2 1/4	5 1/4	3 1/4
SAE-64530	4 1/2 X 30	104	3000	FULL PSI	39	2 1/4	1/4	#10 SAE	1.265	1	2 1/4	5 1/4	3 1/4
SAE-64532	4 1/2 X 32	106	3000	FULL PSI	41	2 1/4	1/4	#10 SAE	1.265	1	2 1/4	5 1/4	3 1/4
SAE-64536	4 1/2 X 36	115	3000	48,860 LBS	45	2 1/4	1/4	#10 SAE	1.265	1	2 1/4	5 1/4	3 1/4
SAE-64540	4 1/2 X 40	124	3000	38,650 LBS	49	2 1/4	1/4	#10 SAE	1.265	1	2 1/4	5 1/4	3 1/4
SAE-64542	4 1/2 X 42	128	3000	35,330 LBS	51	2 1/4	1/4	#10 SAE	1.265	1	2 1/4	5 1/4	3 1/4
SAE-64548*	4 1/2 X 48	147	3000	26,690 LBS	59	2 1/4	1/4	#10 SAE	1.265	1	2 1/4	5 1/4	3 1/4
SAE-64560*	4 1/2 X 60	177	3000	17,210 LBS	73	2 1/4	1/4	#10 SAE	1.265	1	2 1/4	5 1/4	3 1/4